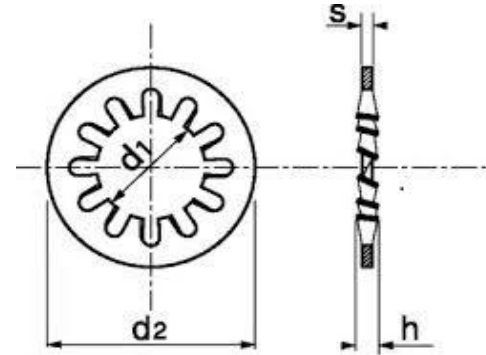


DIN 6798 Internal Serrated Tooth Lock Washers

(Also Called An Overlapping Tooth Type)



DIN 6798 Internal Serrated Tooth Lock Washers

Diameter	M2	M2.5	M3	M3.5	M4	M5	M6	M7	M8	M10	M12	M14	M16	M18	M20	M22	M24	M27	M30
d1	2.2	2.7	3.2	3.7	4.3	5.3	6.4	7.4	8.4	10.5	13	15	17	19	21	23	25	28	31
d2	4.5	5.5	6	7	8	10	11	12.5	15	18	20.5	24	26	30	33	36	38	44	48
S	0.3	0.4	0.4	0.5	0.5	0.6	0.7	0.8	0.8	0.9	1	1	1.2	1.4	1.4	1.5	1.5	1.6	1.6
h	3 x S	3 x S	3 x S	3 x S	3 x S	3 x S	3 x S	3 x S	3 x S	3 x S	3 x S	3 x S	3 x S	3 x S	3 x S	3 x S	3 x S	3 x S	3 x S

Material	Finish	Diameters
Spring Steel	Zinc (CR3)	M2.5 - M6 & M8 - M24
Stainless Steel	A2 And A4	M2 - M30

INFORMATION AND DRAWINGS PROVIDED ARE FOR REFERENCE ONLY